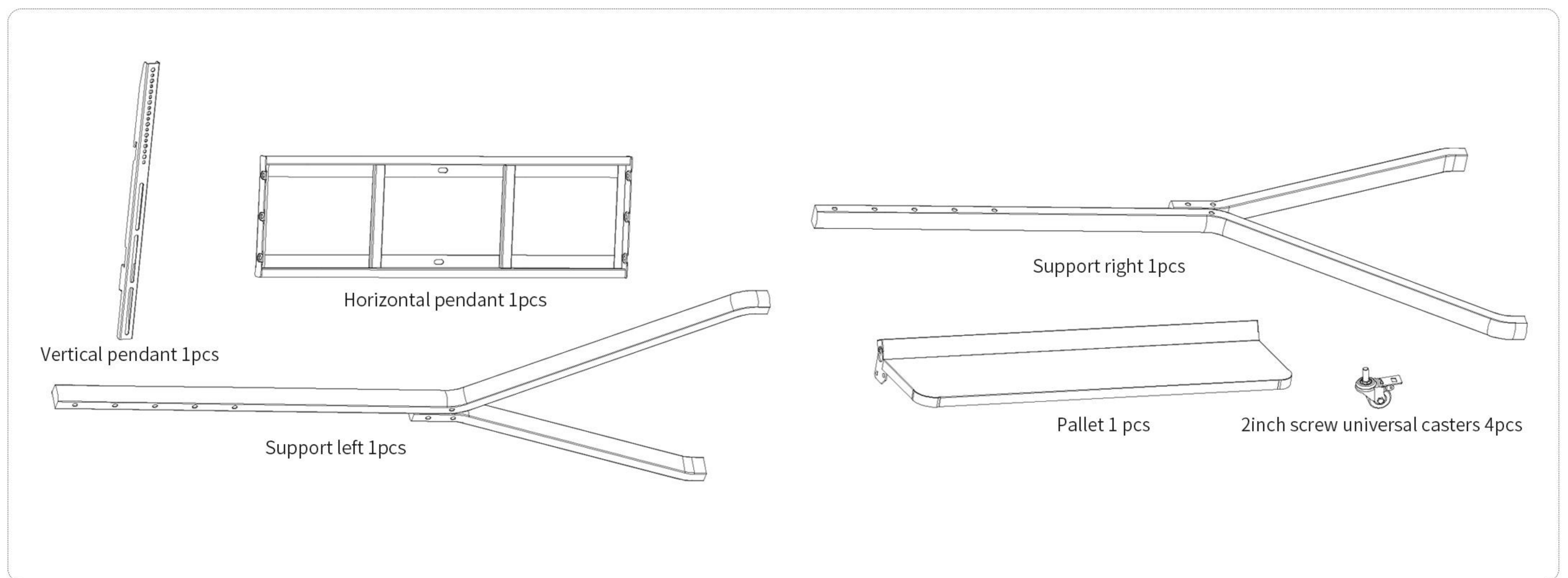




Riotouch

Product Image

Packing List



Single D Pipe Elbow Vertical Mobile Cart 5 5 - 8 6

Describe	Quantity/PCS	Location	Describe	Quantity/PCS	Location
Humanoid support (left and right)	2		M8*25 socket head cap screws	16	connected to support
Tray	1	Assemble with support	M8 gasket	12	Assembled with M8 hexagon socket
Horizontal hanger	1	Assemble with support	M8 shrapnel	12	Assembled with M8 hexagon socket
Vertical hanging	2	Assemble with support	M8 Allen key	1	
2 inch M12 screw swivel caster	4	Assemble with support	17MM open end wrench	1	
M12 Shrapnel	4	Assembly with casters	Outer ∅18* inner ∅8.0* height 10MM of round plastic pad	4	Assembly with vertical beam machine



VESA	800*600
Load bearing	180KG
Suitable for machine	75" — 86"
Vertical angle error	0°-1°
Product net weight	18.8KG
Product gross weight	21.6KG
Products packing	1543*674*128(mm)

Testing Report

Test Project	weight test	Test Item Name	55-86D Shaped Tube Mobile Cart
Test Quantity	1 PC	Test Basis	《UL testing standards》
Test Date	2020/4/22	Test Scheduled Time	2020/4/22
Test Purpose			

The standard 180KG test is carried out on the KZH01-55-86D-shaped tube mobile cart to detect whether the product has any defects such as desoldering, deformation, and distortion.

QC Signature:	Wu Chunbing	Date:	2020/4/22
---------------	-------------	-------	-----------

Test Department Suggestion:

KZH01-55-86D-shaped tube mobile cart has passed the load-bearing test

Sign for Confirmation:	Zhang Shuyun	Date:	2020/4/22
------------------------	--------------	-------	-----------

Test Feedbacks:



Figure 1, Figure 2, Figure 3, Figure 4, Figure 5, Figure 6 are the standard load-bearing 180KG. After the test, the product has no de-soldering, deformation, and distortion. The test result is qualified!

Sign for Confirmation:	Zhang Shuyun	Date:	2020/4/22
------------------------	--------------	-------	-----------

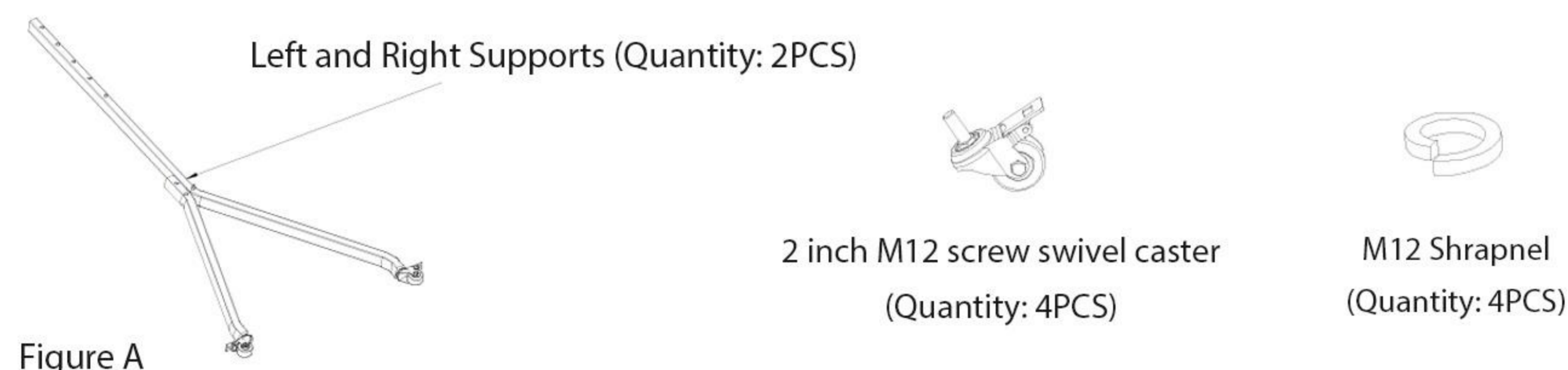
Emergency Measure:

Remarks:

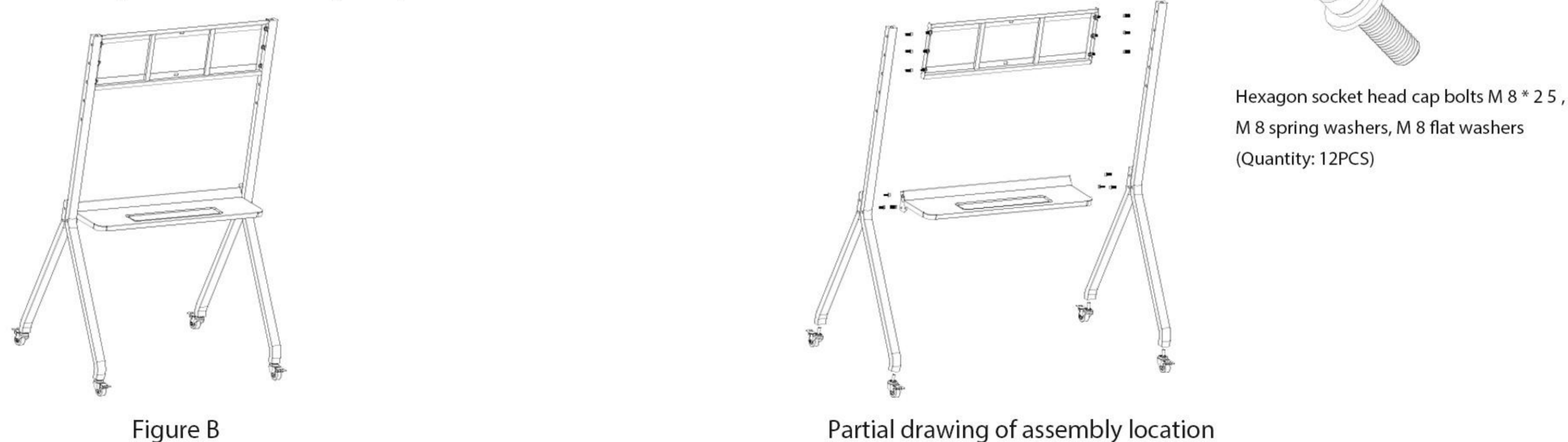
Single D pipe elbow vertical mobile cart 55-86 manual

Single D pipe elbow vertical mobile cart 55-86			
Serial number	Describe	Quantity/PCS	Location
1	Support (left and right)	2	
1	tray	1	Assemble with support
1	Horizontal hanger	1	Assemble with support
1	Vertical hanging	2	Assemble with machine
1	2 inch M12 screw swivel caster	4	Assemble with support
1	M12 Shrapnel	4	Assembly with casters
1	M8*25 socket head cap screws	16	connected to support
1	M8 gasket	16	Assembled with M8 hexagon socket
1	M8 shrapnel	16	Assembled with M8 hexagon socket
1	M8 Allen key	1	
1	17MM open end wrench	1	For locking casters
1	Outer \varnothing 18* inner \varnothing 8.0* height 10MM of round plastic pad	4	Assembly with vertical beam machine

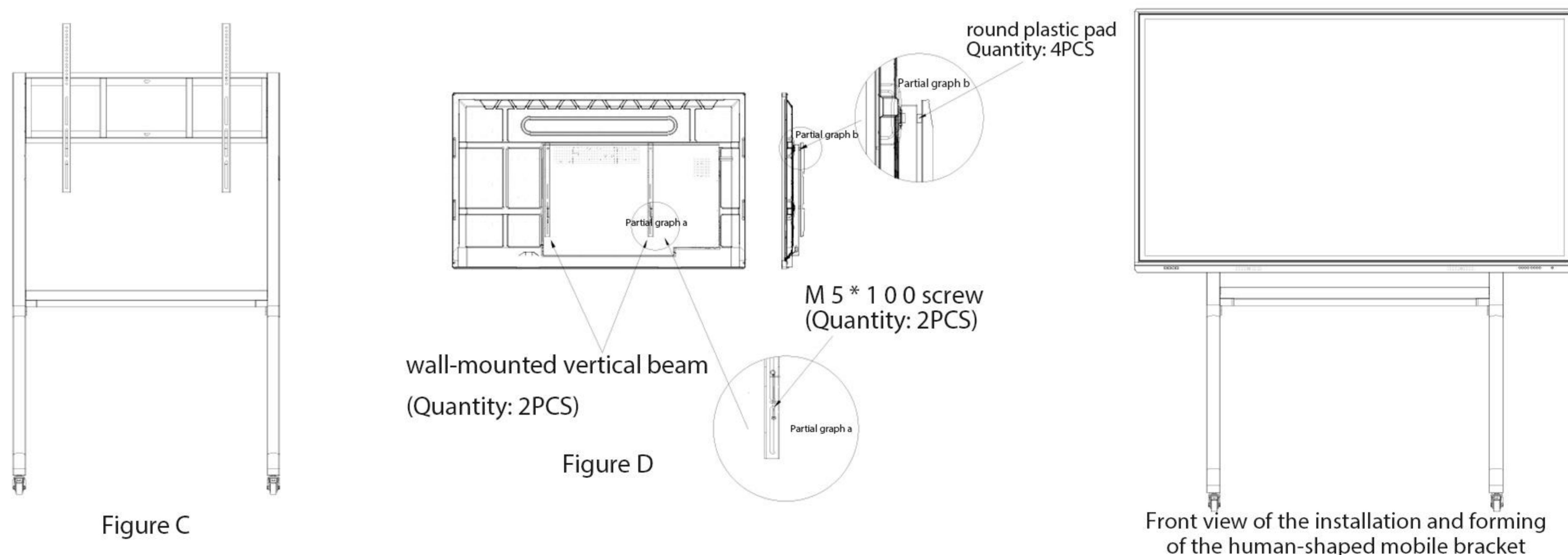
1. Take the left and right support and casters out of the box, first put the M12 shrapnel in the caster screw, and then use the 17 open-end wrench. Tighten the casters on the left and right supports by hand, and the casters are installed. A schematic diagram of the operation is shown in Figure A;



2. Put the M8 * 25 hexagon bolts on the M8 spring washer and the M8 flat washer in turn, put the left and right supports with the casters installed against the wall, and place the tray horizontally. The hanger (one side) is fastened with M8*25 screws, and the other side of the other support against the tray and the hanger is fastened with M8*25 screws. Make a schematic diagram as shown in Figure B;



3. Take the standard vertical beam out of the packing box, install the vertical beam and the circular plastic spacer on the machine as shown in Figure D Part b adjustment), the operation diagram is shown in Figure D; vertical After the beam is fixed, lift the machine and hang it on the assembled bracket, adjust the machine to the center position, and screw the M 5 * 1 0 0 screw to the top and hang it horizontally as shown in Part a of Figure D complete.



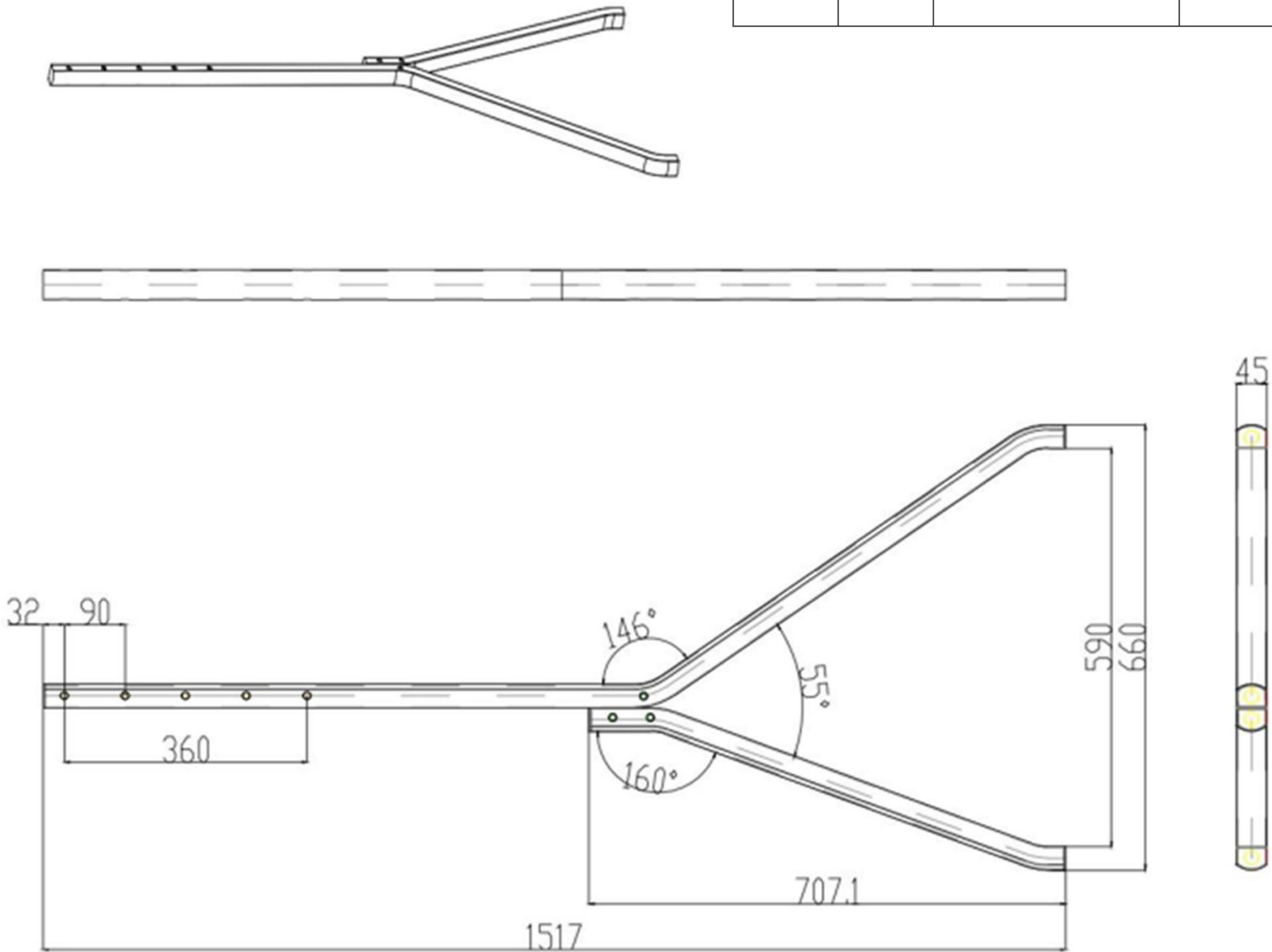
Tool parameters

Allen key, 17 MM open-end wrench.

Notice:

- # In order to correctly guide the installation of this mobile cart, please read the instructions carefully when installing;
- # Please entrust a professional installation company to install this mobile cart;
- # When reading or using this manual, if you have any questions, please contact our company.
- # The pictures in this manual are for reference only, please refer to the actual product.

Version	Mark	Change content	Date	Sign



Technical Description:

1. Strictly follow the drawings and add unmarked.
2. Tolerances to remove acute burrs and oil stains, and no scratches are allowed on the surface.
3. Ensure that the surface of the sheet is flat, without obvious pits and deformation defects.
4. Surface treatment:

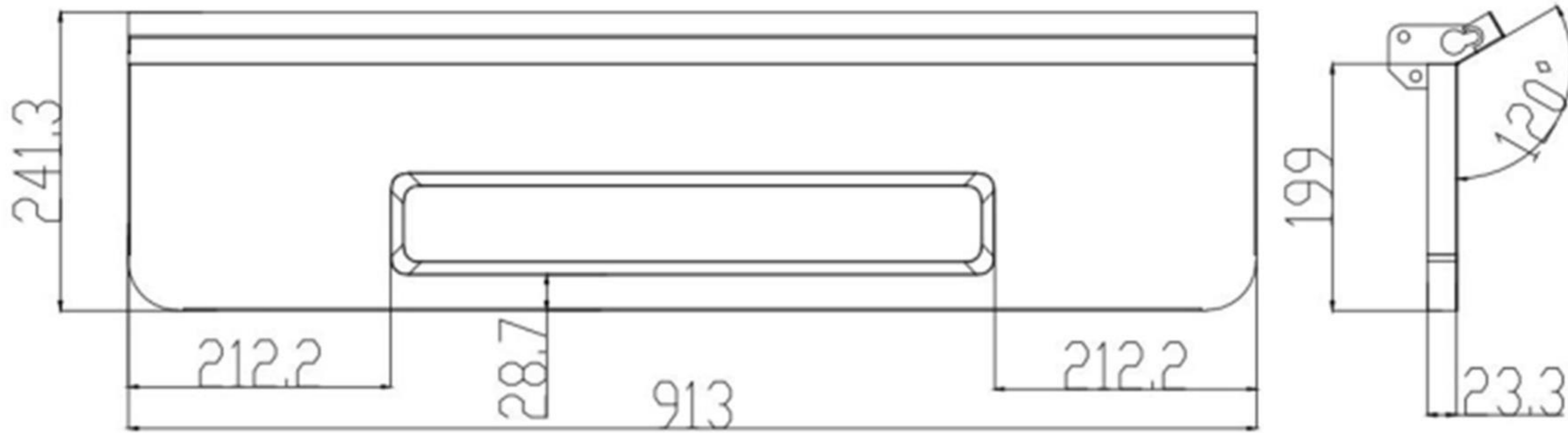
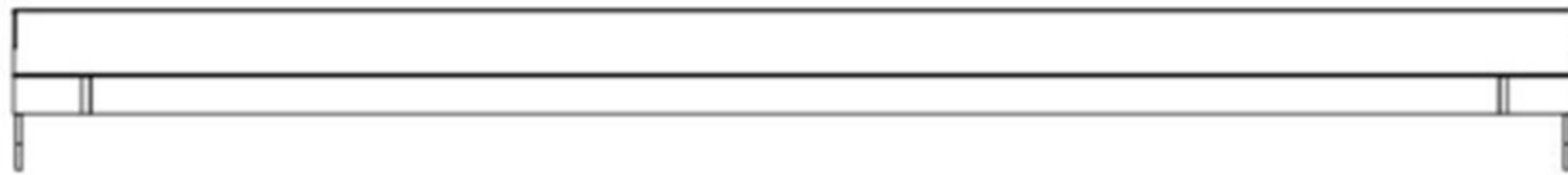
GB/T1804-M,

Layout size A4

Tolerance table				
Dimension Range	0-100	100-500	500-1000	1000-2000
Tolerance Range	±0.1	±0.2	±0.3	±0.4
Angle tolerance ±0.5°				

Drawing No. Part		Quantity	2 PCS	Drawing	Zhang Shuyun	2019/12/20
Name Product	Support	Material	34*46*1.8 single D flat tube	Review		
Name Surface	Single D pipe elbow vertical mobile cart 55-86	Version	V1.0 Version	Approval		
Treatment	Dusting	Ratio	1 : 1	Page 1 of 1	Unit	mm
Projection Relationship						

Version	Mark	Change content	Date	Sign



Technical Description:

1. Strictly follow the drawings and add unmarked.
2. Tolerances to remove acute burrs and oil stains, and no scratches are allowed on the surface.
3. Ensure that the surface of the sheet is flat, without obvious pits and deformation defects.
4. Surface treatment:

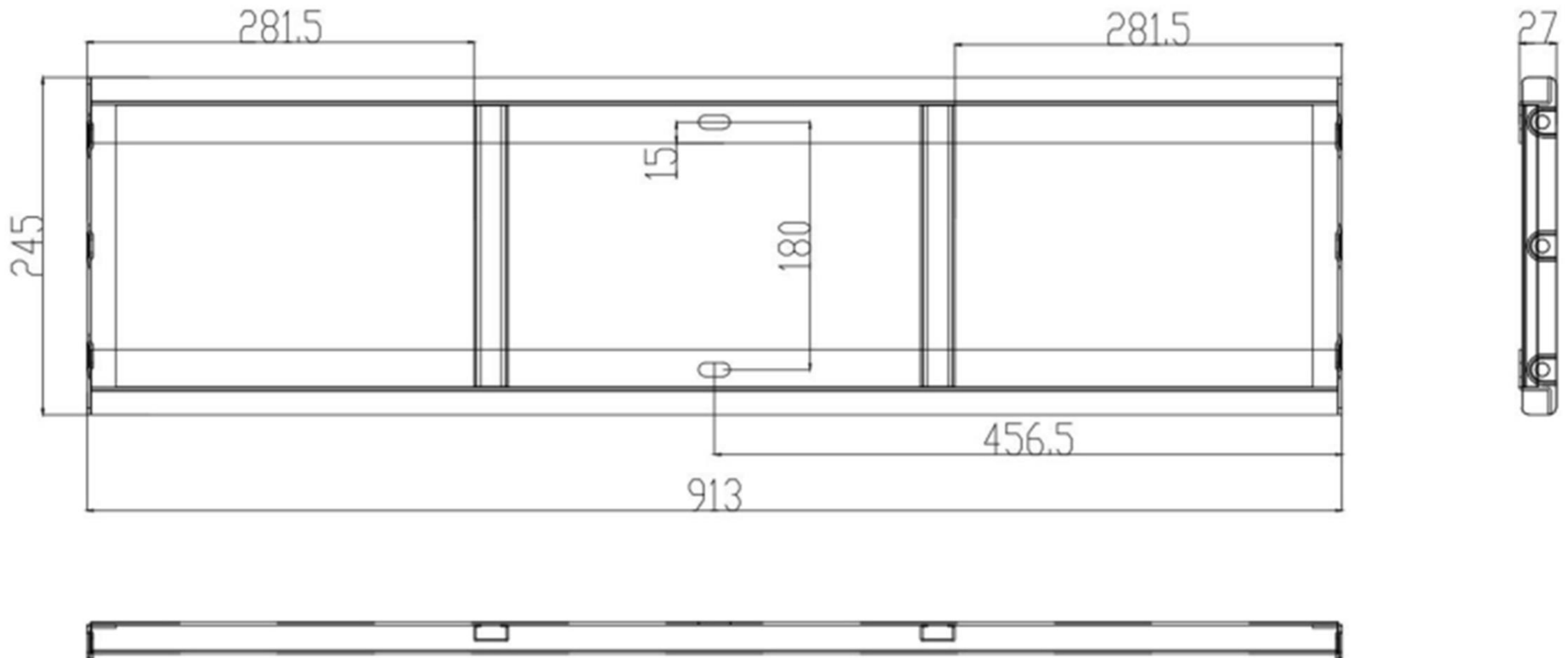
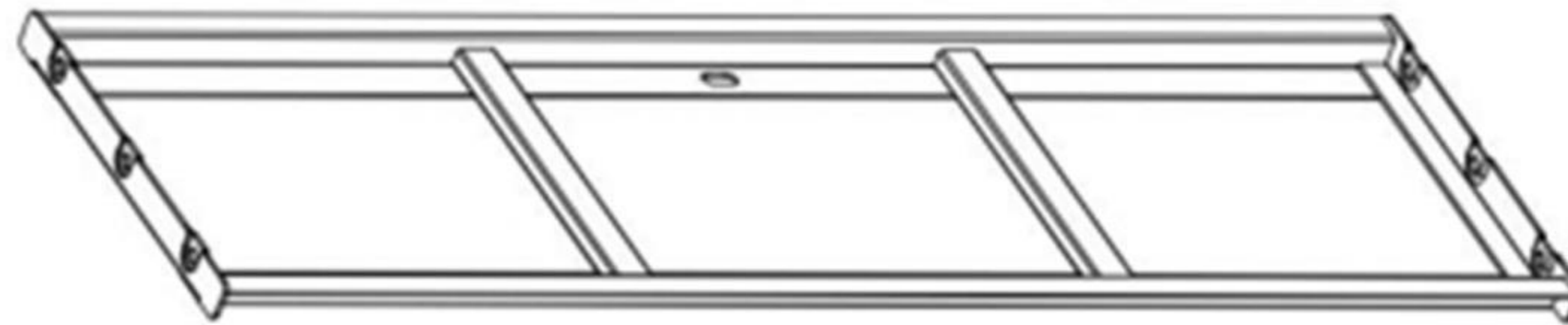
GB/T1804-M,

Layout size A4

Tolerance table				
Dimension Range	0-100	100-500	500-1000	1000-2000
Tolerance Range	±0.1	±0.2	±0.3	±0.4
Angle tolerance ±0.5°				

Drawing No. Part		Quantity	1 PCS	Drawing	Zhang Shuyun	2019/12/20
Name Product	Tray	Material	SPCC T=1.5	Review		
Name Surface	Single D pipe elbow vertical mobile cart 55-86	Version	V1.0 Version	Approval		
Treatment	Dusting	Ratio	1 : 1	Page 1 of 1	Unit	mm
Projection Relationship						

Version	Mark	Change content	Date	Sign



Technical Description:

1. Strictly follow the drawings and add unmarked.
2. Tolerances to remove acute burrs and oil stains, and no scratches are allowed on the surface.
3. Ensure that the surface of the sheet is flat, without obvious pits and deformation defects.
4. Surface treatment:

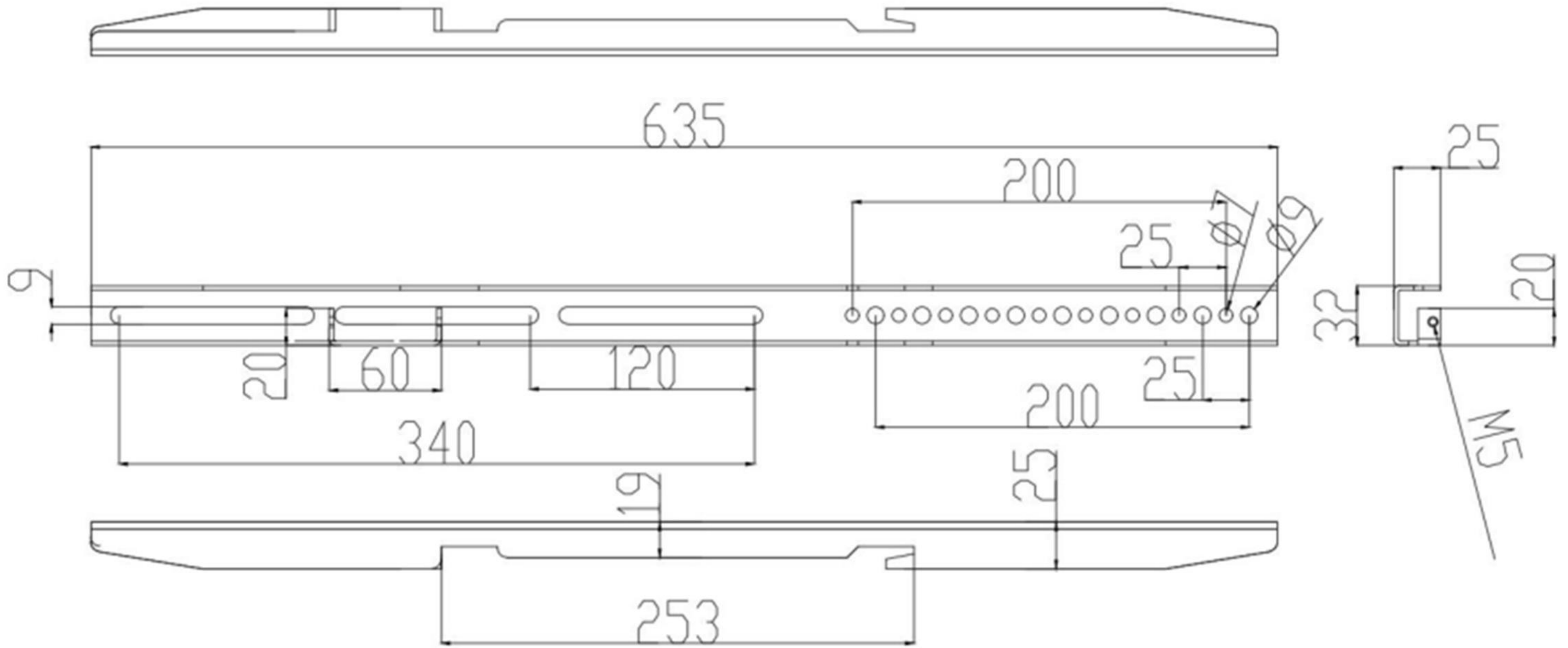
GB/T1804-M,

Layout size A4

Tolerance table				
Dimension Range	0-100	100-500	500-1000	1000-2000
Tolerance Range	±0.1	±0.2	±0.3	±0.4
Angle tolerance ±0.5°				

Drawing No. Part		Quantity	1 PCS	Drawing	Zhang Shuyun	2019/12/20
Name Product	Hanging horizontally	Material	SPCC T=3.0	Review		
Name Surface	Single D pipe elbow vertical mobile cart 55-86	Version	V1.0 Version	Approval		
Treatment	Dusting	Ratio	1 : 1	Page 1 of 1	Unit	mm
Projection Relationship						

Version	Mark	Change content	Date	Sign



Technical Description:

1. Strictly follow the drawings and add unmarked.
2. Tolerances to remove acute burrs and oil stains, and no scratches are allowed on the surface.
3. Ensure that the surface of the sheet is flat, without obvious pits and deformation defects.
4. Surface treatment:

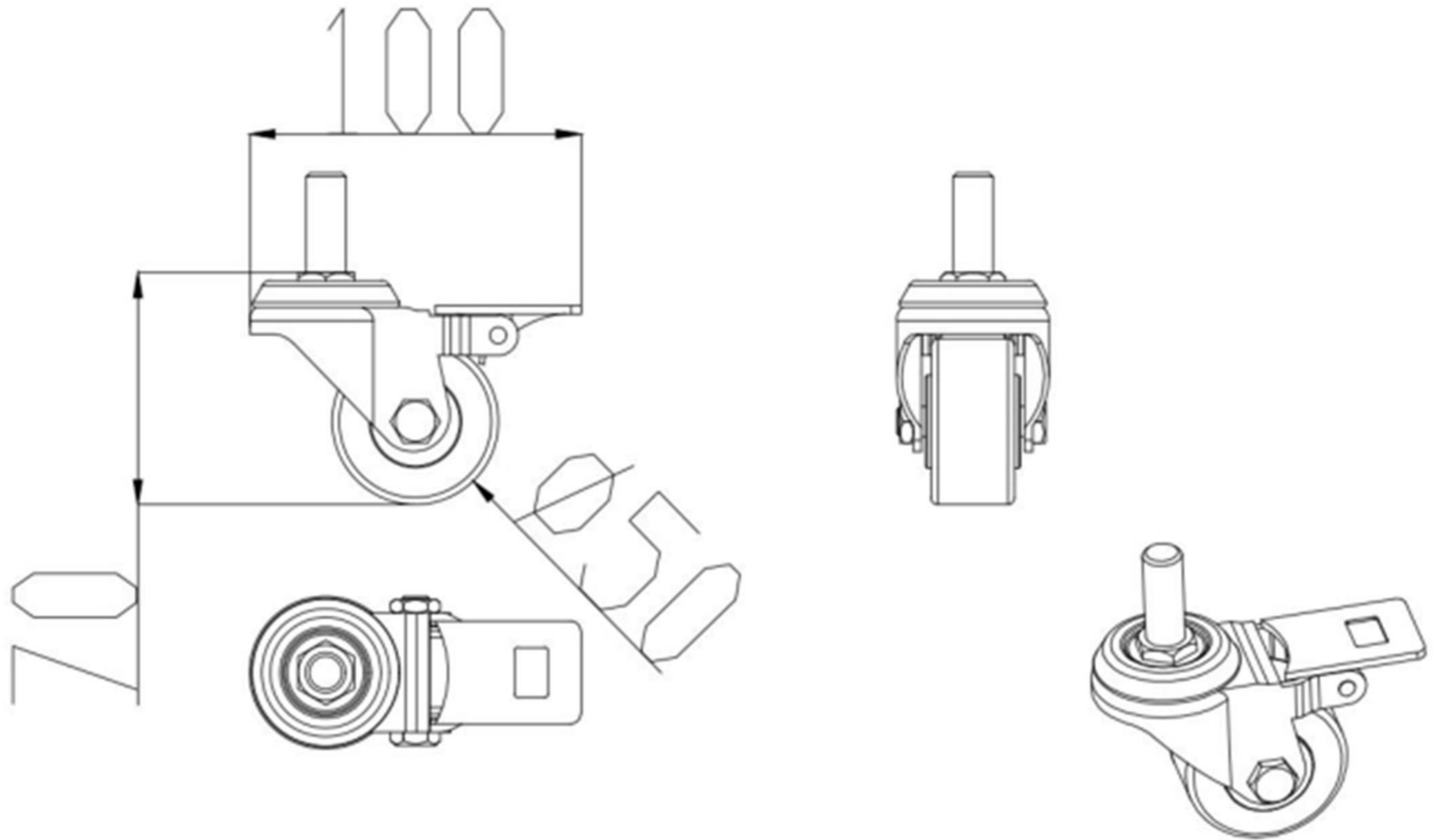
GB/T1804-M,

Layout size A4

Tolerance table				
Dimension Range	0-100	100-500	500-1000	1000-2000
Tolerance Range	±0.1	±0.2	±0.3	±0.4
Angle tolerance ±0.5°				

Drawing No. Part		Quantity	2 PCS	Drawing	Zhang Shuyun	2019/12/20
Name Product	Vertical hanging	Material	SPCC T=2.5	Review		
Name Surface	Single D pipe elbow vertical mobile cart 55-86	Version	V1.0 Version	Approval		
Treatment	Dusting	Ratio	1 : 1	Page 1 of 1	Unit	mm
Projection Relationship						

Version	Mark	Change content	Date	Sign



Technical Description:

1. Strictly follow the drawings and add unmarked.
2. Tolerances to remove acute burrs and oil stains, and no scratches are allowed on the surface.
3. Ensure that the surface of the sheet is flat, without obvious pits and deformation defects.
4. Surface treatment:

GB/T1804-M,

Layout size A4

Tolerance table				
Dimension Range	0-100	100-500	500-1000	1000-2000
Tolerance Range	±0.1	±0.2	±0.3	±0.4
Angle tolerance ±0.5°				
Drawing No. Part	Quantity	4 PCS	Drawing	Zhang Shuyun 2019/12/20
Name Product	2-inch Screw Swivel Caster	Material	Review	
Name Surface	Single D pipe elbow vertical mobile cart 55-86	Version	V1.0 Version	Approval
Treatment	*****	Ratio	1 : 1	Page 1 of 1 Unit mm
Projection Relationship				